

## [NEW QUESTIONS] Braindump2go New Updated DCUCD 642-998 Exam Version With New Added Questions Free Download

**MICROSOFT NEWS: 642-998 DCUCD Exam Questions has been Updated Today! Get Latest 70-662 DCUCD VCE and 642-998 DCUCD PDF Instantly! Welcome to Download the Newest Braindump2go 642-998 DCUCD VCE&642-998 DCUCD PDF Dumps:** <http://www.braindump2go.com/70-662.html> (195 Q&As) Exam Code: 642-998 Exam Name TS: Designing Cisco Data Center Unified Computing (DCUCD) Certification Provider: Cisco 642-998 Dumps, 642-998 Study Guide, 642-998 DCUCD VCE, 642-998 DCUCD VCE, 642-998 Exam Dumps, 642-998 DCUCD Book, 642-998 Exam Prep, 642-998 Exam Questions, 642-998 Practice Exam, 642-998 Practice Test, 642-998 Braindump, 642-998 New Questions, 642-998 Designing Cisco Data Center Unified Computing

### Designing Cisco Data Center Unified Computing (DCUCD): 642-998



Questions and Answers : 195 Q&As

Updated: Jan 11, 2016

~~\$429.99~~ **\$99.99**

PDF DEMO

CHECK OUT

Product Description Exam Number/Code: 642-998

Exam Number/Code: 642-998

"Designing Cisco Data Center Unified Computing (DCUCD)", also known as 642-998 exam, is a Cisco Certification. With the complete collection of questions and answers, Braindump2go has assembled to take you through 195 Q&As to your 642-998 Exam preparation. In the 642-998 exam resources, you will cover every field and category in Cisco CCNP Data Center helping to ready you for your successful Cisco Certification.

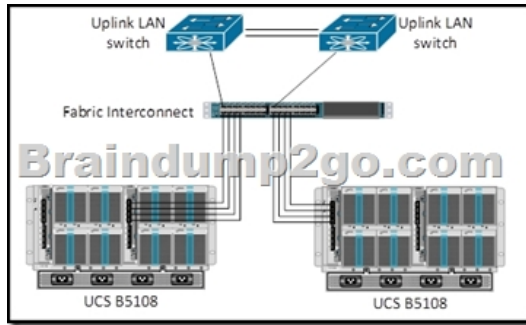
Free Demo Download

Braindump2go offers free demo for 642-998 exam (Designing Cisco Data Center Unified Computing (DCUCD)). You can check out the interface, question quality and usability of our practice exams before you decide to buy it.

Printable PDF  Premium VCE + VCE Simulator

QUESTION 148 Which STP protocol is the default that is enabled on Cisco Nexus switches? A. STP (802.1d) B. MST (802.1s) C. RSTP (802.1w) D. Rapid PVST+ Answer: D QUESTION 149 Which two requirements must be satisfied to implement STP Bridge Assurance on Cisco Nexus switches? (Choose two.) A. CST or RSTP B. STP or RSTP C. MST or Rapid PVST+ D. a port type of network E. a port type of edge F. a port type of normal Answer: CD QUESTION 150 You have a vPC domain that contains a Cisco Nexus 5000 Series pair. You plan to implement HSRP. Which feature must you enable to ensure that forwarding paths are load balanced between two active gateways? A. auto-recovery B. role-priority C. peer-switch D. peer-gateway Answer: D QUESTION 151 You have a vPC domain that contains a Cisco Nexus 5000 Series pair. Which feature must you enable to make the Cisco Nexus pair operate as a single STP root? A. auto-recovery B. priority C. peer-switch D. peer-gateway Answer: C QUESTION 152 You plan to implement a new data center solution that will use an IGP. Which routing protocol must you use in a large full-mesh network that requires fast convergence and scalability? A. LDP B. BGP C. RIP D. EIGRP E. IS-IS Answer: E QUESTION 153 Which two options are benefits of implementing Cisco FabricPath? (Choose two.) A. All links between FabricPath switches are active. B. The MAC addresses of servers are learned by all FabricPath switches. C. Layer 2 protocols are used for loop avoidance. D. MAC learning is conversation-based. E. Segmentation is provided at Layer 3. Answer: AD QUESTION 154 Which two statements about the ports on a Cisco UCS 6248UP Fabric Interconnect are true? (Choose two.) A. Ethernet ports are defined in blocks of ports. B. Fibre Channel ports are defined as single ports. C. The Ethernet ports start at any unified port and end at an even port. D. The first Fibre Channel port must start after the last Ethernet port. E. The last Fibre Channel port must come before the first Ethernet port. Answer: AD QUESTION 155 Which two technologies provide the greatest reduction in energy consumption for a data center? (Choose two.) A. server virtualization B. a converged network infrastructure C. network virtualization D. routing table virtualization E. orchestration and automation Answer: AB QUESTION 156 You are comparing the use of a Cisco Nexus 1000V Series Switch and a VMware distributed virtual switch. Which two features are provided only by the Cisco Nexus 1000V Series Switch? (Choose two.) A. NetFlow capabilities B. support for PVLANs C. DSCP marking for QoS D. 802.1Q VLAN tagging E. vPC host mode pinning Answer: CE QUESTION 157 Which statement accurately describes a disjoint Layer 2 network topology in Cisco UCS infrastructure? A. A vNIC can communicate with only one Layer 2 domain. B. A VLAN can overlap across Layer 2 domains. C. A Cisco UCS Fabric Interconnect must be configured in switching mode. D. Servers can use any virtual interface card. Answer: A QUESTION 158 Refer to the exhibit. You have a virtual machine

configured on each Cisco UCS B200 Series blade server installed on different Cisco UCS 5108 chassis. The virtual machines are on the same VLAN. The fabric interconnect is in end-host mode. Which statement describes how communication occurs between the virtual machines?



- A. Traffic is switched within the virtual switch and forwarded to the proper vNIC.
  - B. Traffic is switched by the hypervisor and forwarded to the proper vNIC.
  - C. Traffic is switched by the fabric interconnect and forwarded to the virtual machine.
  - D. Traffic is forwarded to the uplink switch where the fabric interconnect is connected.
- Answer: C FREE DOWNLOAD: NEW UPDATED 642-998 PDF Dumps & 642-998 VCE Dumps from Braindump2go: <http://www.braindump2go.com/642-998.html> (195 Q&As)

Designing C  
998



Questions and Answers

Updated: Jan 11, 201

\$420.00 \$99.99

PDF DEMO

CHECK OUT