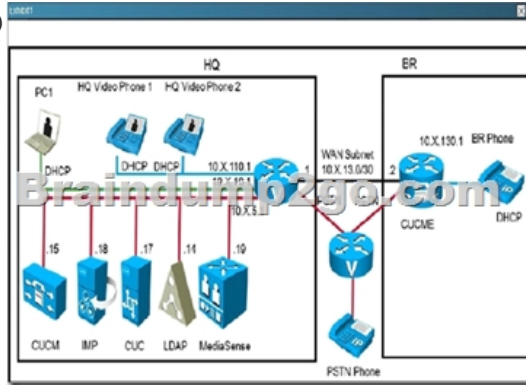


## [Jun-2016-NEWCisco 210-060 PDF Dumps 165q Free Download[NQ1-NQ10]

2016 Jun Cisco Official - CCNA Collaboration 210-060 CICD: [Implementing Cisco Collaboration Devices Exam Questions New Released by Braindump2go Today!](#) NEW QUESTION 1 - NEW QUESTION 10: 1. | 2016 Latest Cisco 210-060 PDF & VCE 165q Dumps Instant Download: <http://www.braindump2go.com/210-060.html2>. | 2016 New Cisco 210-060 Exam Questions PDF - Google Drive: <https://drive.google.com/folderview?id=0B272WrTALRHcc1RfNTZsVU5ZX2c&usp=sharing> QUESTION 1 Which two technologies comprise a Cisco Presence deployment? (Choose two.) A. Cisco Unified Presence Server B. Cisco Unity Connection C. Cisco Unified Communications Manager D. Active Directory E. Cisco Unified Border Element F. Cisco Expressway  
Answer: AC QUESTION 2 Use the router console to view the configuration and answer the question. When a call is placed from the Branch Router phone to the PSTN number of 914085551212, the call is failing. What dial-peer is supposed to be used and why is the call failing? Select 2 (two)



A. dial-peer voice 910 pots B. dial-peer voice 9 pots C. dial-peer voice 9001 voip D. destination pattern is incorrect E. prefix is missing from the dial-peer F. the port assignment is incorrect in the dial-peer G. the port number is missing in the dial-peer

Answer: BF Explanation: The dial 9, 910, and 9001 dial peer configurations are shown below:

```
dial-peer voice 9001 voip
translation-profile outgoing BR2out
destination-pattern 90012012012...
session target ipv4:10.1.5.15
dtmf-relay sip-notify
no vad
```

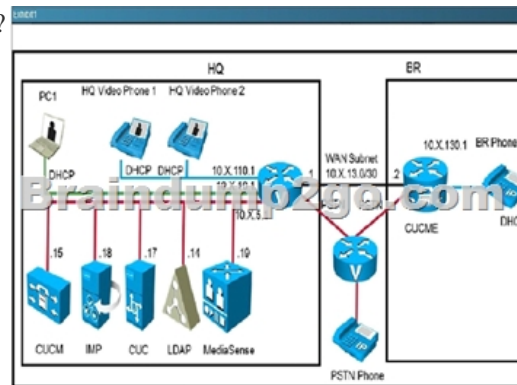
```
!
dial-peer voice 9 pots
description Local PSTN Calls
destination-pattern 9[1-9]T
port 0/0/0:12
!
dial-peer voice 900 pots
description International
destination-pattern 900T
port 0/0/0:15
prefix 900
!
dial-peer voice 910 pots
description National
destination-pattern 9[1-9]T
port 0/0/0:15
prefix 0
!
```

Here we see that dial peer 9 and 910 match the same destination pattern, but 9 will be used first. However, the port used should be 0/0/0:15 not 0/0/0:12.

```
interface Serial0/0/0:15
no ip address
encapsulation hdlc
!

```

QUESTION 3 Use the router console to view the configuration and answer the question. Emergency calls from a Branch router phone is failing. From the router configuration information provided, why is this call failing?

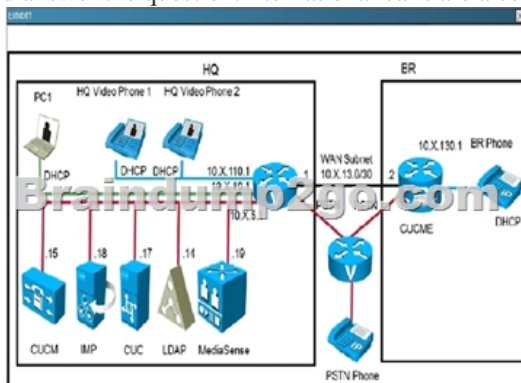


A. The dial-peer port assignment is incorrect  
B. the digit string prefix is missing  
C. The destination pattern is incorrect  
D. digit stripping needs to be performed  
Answer: C  
Explanation: The emergency dial peer configuration is shown below from the Branch routers:

```
!
dial-peer voice 9112 pots
description Emergency PSTN Calls
destination-pattern 9112
port 0/0/0:15
prefix 112
!
dial-peer voice 999 pots
description Emergency PSTN Calls
destination-pattern 9999
port 0/0/0:15
!

```

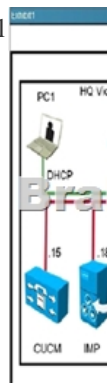
Here we can see that 911 does not actually match the configured destination patterns. QUESTION 4 Which three network elements are crucial when deploying VoIP devices? (Choose three.)  
A. Round-trip time  
B. QoS markings  
C. Bandwidth  
D. Ethernet  
E. Fibre  
F. Token ring  
Answer: ABC  
QUESTION 5 An administrator group is looking to on-board multiple users with Cisco Unified Communications Manager at one time. Which option should be used?  
A. Bulk Administration Tool  
B. Product Upgrade Tool  
C. Command Lookup Tool  
D. Cisco Unified Communications Manager User Options Page  
E. Cisco Upload Tool  
Answer: A  
QUESTION 6 Use the router console to view the configuration and answer the question. International calls are also failing. Using the router configuration supplied, why are international calls failing?



A. Prefix should be 00B. The character "T" cannot be used in a Pots dial patternC. The port should be 0/0/0:12D. The destination pattern is missing a "0" Answer: AExplanation:The International dial peer configuration is shown below:

```
dial-peer voice  
description In  
destination-pa  
port 0/0/0:15  
prefix 900  
!
```

The prefix is incorrectly set to 900, not 00. QUESTION 7Use the router console to view the configuration and answer the question. Calls to National numbers are failing. Using the Branch router configuration, correctly determine why these calls are not successful



A. The port assignment should be 0/0/0:12B. The destination pattern should be 90[1-9]TC. The character "T" cannot be used in a Pots dial patternD. The digit prefix should be "00" Answer: BExplanation:The National dial peer configuration is shown below:

```
!  
dial-peer voice 910 pots  
description National  
destination-pattern 90[1-9]T  
port 0/0/0:15  
prefix 0  
!
```

QUESTION 8A user wants their name to show on their phone instead of their directory number. Which configuration item allows an administrator to do this? A. Line Text LabelB. Alerting NameC. External Phone Number MaskD. Caller NameE. Description Answer: A QUESTION 9A user would like all calls to be forwarded to voice mail. The user's phone is not set up with a soft key for this feature. Which option accomplishes this configuration from within the Cisco Unified Communication Administrator Directory Number configuration page? A. Call Forward and Pickup Settings > Forward No Coverage External > Select voice mail check boxB. Call Forward and Pickup Settings > Forward Busy External > Select voice mail check boxC. Call Forward and Pickup Settings > Forward All > Select voice mail check boxD. Call Forward and Pickup Settings > Forward Unregistered External > Select voice mail check box Answer: C QUESTION 10A new user has successfully registered Cisco Jabber. Which option verifies that the Jabber client is connected to all appropriate back-end systems? A. Show Connection StatusB. Report A ProblemC. Advanced SettingsD. About JabberE. Reset Jabber Answer: A !!!Recommend!!!2016 Valid Braindump2go 210-060 Exam PDF and VCE 165Q&As Dumps Instant Download: <http://www.braindump2go.com/210-060.html> [100% Exam Pass Guaranteed!] [Google Drive: 1.210-060 Exam PDF and VCE Dumps Download: https://drive.google.com/folderview?id=0B272WrTALRHcQ1doRkVIVmppaUU&usp=sharing](https://drive.google.com/folderview?id=0B272WrTALRHcQ1doRkVIVmppaUU&usp=sharing) 2.210-060 CICD Dumps and 210-060 CICD Exam Questions 165Q&As: <https://drive.google.com/folderview?id=0B272WrTALRHcRXFSM1hyOFIwUTQ&usp=sharing>