

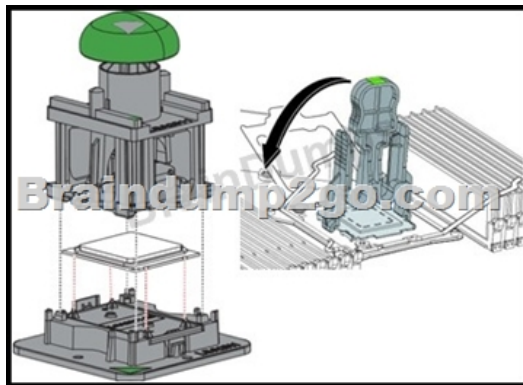
## [Dec-2016-NewBraindump2go 010-151 VCE and PDF 85q Dumps Free Download][NQ41-NQ50]

2016/12 New Cisco 010-151: Supporting Cisco Data Center System Devices Exam Questions Updated Today! Free Instant Download 010-151 Exam Dumps (PDF & VCE) 85q from Braindump2go.com Today! 100% Real Exam Questions! 100% Exam Pass Guaranteed! 1. | 2016/12 New 010-151 Exam Dumps (PDF & VCE) 85q Download:

<http://www.braindump2go.com/010-151.html> 2. | 2016/12 New 010-151 Exam Questions & Answers:

<https://1drv.ms/f/s!AvI7wzKf6QBjgUA0ldnAmKoPR142> QUESTION 41 Which three tools are necessary to console into a Cisco UCS C-Series Rack-Mount Server? (Choose three.) A. Cisco DB-9-to-RJ-45 console cable B. laptop C. monitor D. keyboard E.

KVM dongle F. USB serial adapter Answer: CDE QUESTION 42 After installation or replacement of a Cisco UCS C-Series Rack-Mount Server, the host does not boot. Which four options should be verified? (Choose four.) A. Verify the power source to the equipment. B. Check for loose HDD cables. C. Reseat the DIMMs, CPU, and PCI cards. D. Verify that power supplies are receiving power. E. Reseat the mezzanine card connector. F. Check the CPU sockets for bent pins. G. Check the Cisco IMC for fan faults. Answer: ACDF QUESTION 43 Which three firmware components does the Host Upgrade Utility upgrade? (Choose three.) A. Fabric Interconnect firmware B. LAN on Motherboard C. Cisco UCS Manager D. CIMCE. System BIOS Answer: BDE QUESTION 44 Which two commands allow you to view the state of high availability between the two clustered Fabric Interconnects? (Choose two.) A. show cluster state extended B. show cluster extended-state C. show cluster HA status D. show cluster state Answer: BD QUESTION 45 Which three troubleshooting procedures do you perform when there is no power to a Cisco UCS B250 M2 Blade Server? (Choose three.) A. Decommission and acknowledge the blade. B. Check the back of the blade to ensure that there is no damage to the connection that goes into chassis. C. Reseat the memory DIMMs. D. Check the CPU sockets for bent pins. E. Reseat the blade in the same slot in the chassis. F. Move the blade to another slot in the chassis. Answer: BEF QUESTION 46 Which two remote file system methods are used in the training material to transfer firmware to the Fabric Interconnect? (Choose two.) A. FTPSB. FTPC. TFTP D. RSH Answer: BC QUESTION 47 On which three devices can the Host Upgrade Utility be performed? (Choose three.) A. C420B. C230C. B230D. B210E. C210F. B460G. C240 Answer: AEG QUESTION 48 Refer to the exhibit.



This image shows a CPU Pick-and-Place tool and a CPU Socket Protective Cap Removal tool. Which types of Cisco UCS servers and Intel Xeon processors do these tools support? A. Cisco UCS B22 Blade Server, C22 Rack Server, and C24 Rack Server with Intel Xeon E5-2400 Series processors B. Cisco UCS B22 Blade Server, C22 Rack Server, and C24 Rack Server with Intel Xeon E5-2600 Series processors C. Cisco UCS B200 M3 Blade Server, B420 M3 Blade Server, C220 Rack Server, C240 Rack Server, and C420 Rack Server with Intel Xeon E5-2400 Series processors D. Cisco UCS B200 M3 Blade Server, B420 M3 Blade Server, C220 Rack Server, C240 Rack Server, and C420 Rack Server with Intel Xeon E5-2600 Series processors Answer: D QUESTION 49 When a host firmware package policy is created, what must it be associated with to upgrade the BIOS? A. blade or blade pool B. service profile C. boot policy D. service template Answer: B QUESTION 50 Up to what speed can Category 5 UTP cable transmit data? A. 10 Mb/s B. 100 Mb/s C. 1000 Mb/s D. 10000 Mb/s Answer: C !!!RECOMMEND!!! 1. Braindump2go | 2016/12 New 010-151 Exam Dumps (PDF & VCE) 85q Download: <http://www.braindump2go.com/010-151.html> 2. Braindump2go | 2016/12 New 010-151 Exam Questions & Answers: YouTube Video: [YouTube.com/watch?v=Q9lmi-oPiII](https://www.youtube.com/watch?v=Q9lmi-oPiII)