

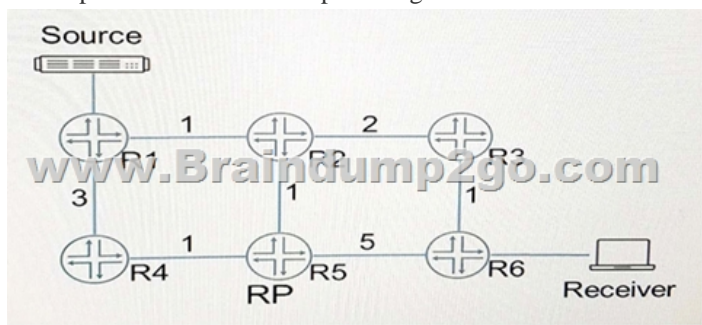
[2017-New-ExamsHigh Quality Braindump2go JN0-647 Dumps 80Q Free Share[1-8

2017 November New Juniper JN0-647 Exam Dumps with PDF and VCE Free Released Today! Following are some New JN0-647 Questions:1.[2017 New JN0-647 Exam Dumps (PDF & VCE) 80Q&As Download:

<https://www.braindump2go.com/jn0-647.html>2.[2017 New JN0-647 Exam Questions & Answers Download:

<https://drive.google.com/drive/folders/1-DINYEeMPFpmtjlFkbEBse2HuRANALa6?usp=sharing>QUESTION 1Your campus EX9200 core devices are highly oversubscribed on bandwidth ans reporting massive dropped packets. To immediately address the issue, you decide to implement shaping on all interfaces.Which action will accomplish?A. Apply the input-shape-rate 5G parameter to all interfaces under the [edit class-of service] hierarchy.B. Define a CoS input traffic control profile with the shape-rate 5G parameter and apply it to all interfaces.C. Define a CoS output traffic control profile with the shape-rate 5G parameter and apply it to all interfaces.D. Apply the shape-rate 5G parameter to all interfaces under the [edit class-of service] hierarchy.] Answer: CAnswer: QUESTION 2What allows non-Web enabled devices to access the network on a port configured for captive portal?A. A MAC address white list can be configured on the switch to allow specific MAC addresses to bypass the captive portal process.B. LLDP can be used to query the type of device that is attempting to access the network, and predefined device types can be allowed to bypass the captive portal process.C. Captive portal can be configured to only prompt for credentials when HTTP or HTTPS traffic is requested on a port to allow on-HTTP enabled devices access to the network.D. Authentication credentials for specific devices can be preconfigured on the switch for automatic authentication.

Answer: AQUESTION 3Click the Exhibit.



You have deployed sparse-mode multicast in your network using the IGP metrics shown in the exhibit.Which path will (*, G) traffic follow form the source to the receiver before the (S, G) state is registered?A. Source, R1, R4, R5, R6, ReceiverB. Source, R1, R2, R5, R2, R3, R6 ReceiverC. Source, R1, R2, R3, R6, ReceiverD. Source, R1, R2, R5, R6, ReceiverAnswer: BQUESTION 4Click the Exhibit.

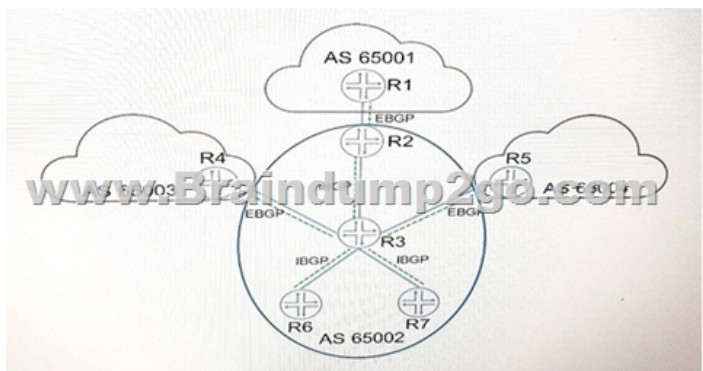
```
user@R1> show ospf neighbor
Address Interface State ID Pri Dead
10.222.0.21 ge-0/0/12.0 Full 10.222.1.4 128 34
10.222.0.13 ge-0/0/1.0 ExStart 10.222.1.3 128 31

user@R1> show ospf interface ge-0/0/1.0 detail
Interface State Area DR ID BDR ID
Nbrs
ge-0/0/1.0 BDR 0.0.0.1 10.222.1.5 10.222.1.5
Type: LAN, Address: 10.222.0.13, Mask: 255.255.255.252, MTU: 1500, Cost: 1

user@R2> show ospf interface ge-0/0/6.0 detail
Interface State Area DR ID BDR ID
Nbrs
ge-0/0/1.0 BDR 0.0.0.1 10.222.1.5 10.222.1.3
1
Type: LAN, Address: 10.222.0.13, Mask: 255.255.255.252, MTU: 1500, Cost: 1
```

You are troubleshooting an OSPF adjacency issue between R1 and R2.What is the reason for the ExStart state shown in the exhibit?A. R2 was elected as the designated router.B. R1 was elected as the backup designated router.C. R1 and R2 are using the same IP address.D. The MTU is not the default on R1 and R2.

Answer: CQUESTION 5Click the Exhibit.



Router R1, in peer AS 65001, advertises routes to R2 using EBGP. R2 advertises the routes learned from R1 to R3 using IBGP. Referring to the exhibit, to which routers will R3 advertise the BGP routes received from R2? A. R6, R7 B. R4, R5, R6, R7 C. R4, R5 D. R2, R4, R5, R6, R7
 Answer: C

```
user@R1> show ospf database extensive
OSPF link state database, area 0.0.0.100
Type ID Adv Rtr Seq Age Opt Cksm Len
Router 10.100.1.1 10.100.1.1 0x8000531 166 0x22 0xfc35 36
Bits 0x2, link count 1
Id 10.100.0.2, data 10.100.0.1, Type Transit (2)
TOS count 0, TOS 0 metric 10
Aging timer 00:57:13
Installed 00:02:42 ago, expires in 00:57:14, sent 00:02:40 ago
Router 192.168.129.200 192.168.129.200 0x8000015a 548 0x2 0x517e 84
Bits 0x2, link count 8
Id 192.168.129.0, data 255.255.255.0, Type Stub (3)
TOS count 0, TOS 0 metric 1
Id 10.100.0.2, data 10.100.0.2, Type transit (2)
TOS count 0, TOS 0 metric 1
Id 10.100.2.1, data 10.100.2.1, Type transit (2)
TOS count 0, TOS 0 metric 1
Id 192.168.129.0, data 255.255.255.0, Type Stub (3)
TOS count 0, TOS 0 metric 1
Aging timer 00:50:51
Installed 00:09:05 ago, expires in 00:50:52, sent 00:09:03 ago
Router 192.168.135.138 192.168.135.138 0x800001c3 2697 0x2 0x2b08 60
Bits 0x0, link count 3
Id 10.100.3.1, data 10.100.3.2, Type transit (2)
TOS count 0, TOS 0 metric 1
Id 10.100.2.1, data 10.100.2.2, Type transit (2)
TOS count 0, TOS 0 metric 1
Id 192.168.135.138, data 255.255.255.0, Type Stub (3)
TOS count 0, TOS 0 metric 0
Gen timer 00:08:12
Aging timer 00:15:12
Installed 00:44:47 ago, expires in 00:15:13, sent 00:44:45 ago
Done
```

Referring to the exhibit, which statement is true? A. R1 is an ASBR. B. R1 has the B bit set. C. R1 is a backbone router. D. R1 is an ABR.
 Answer: A
 Which two statements are true about PIM source-specific multicast (SSM)? (Choose two.) A. The receiver DR builds a source-base tree to the RP. B. S, G is always used. C. A Different group address must be used by each source. D. IGMPv3 is required.
 Answer: B, D

```
user@switch-1> show spanning-tree mstp configuration
MSTP information
Context identifier : 0
Region name : L2-MSTP
Revision : 1
Configuration digest : 0x8edc0c323967409ec011c3858a3802cf

MSTI member VLANs
0 0-10, 13-14, 16-4094
1 11, 15
2 12

user@switch-2> show spanning-tree mstp configuration
MSTP information
Context identifier : 0
Region name : L2-MSTP
Revision : 1
Configuration digest : 0xbe0284d20f4d46a8da239674094f78a

MSTI member VLANs
0 0-10, 13-4094
1 11
2 12
```

You are configuring MSTP to prevent loops in your Layer 2 network. After applying the configuration, you notice that MSTO is not working correctly. Referring to the exhibit, what is causing the problem? A. Too many VLANs have been defined. B. Context identifier must be specified. C. MSTI-to-VLAN mappings must be the same. D. Incorrect revision number is used.
 Answer: C

!!!RECOMMEND!!!1.|2017 New JN0-647 Exam Dumps (PDF & VCE) 80Q&As Download:
<https://www.braindump2go.com/jn0-647.html> 2.|2017 New JN0-647 Study Guide Video: YouTube Video:
[YouTube.com/watch?v=ChwoHvwO2cc](https://www.youtube.com/watch?v=ChwoHvwO2cc)